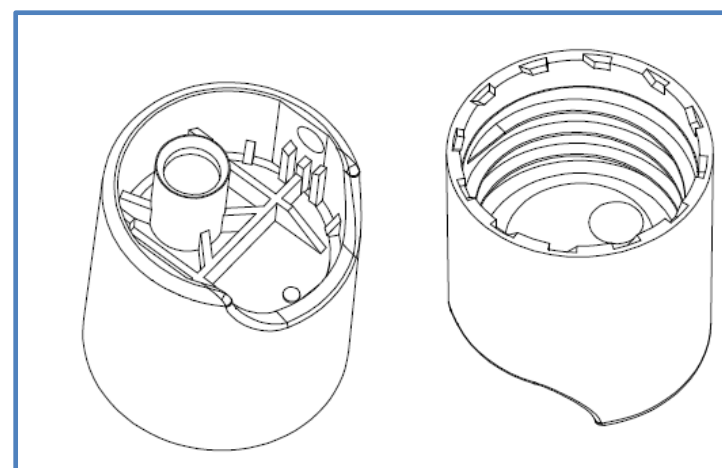
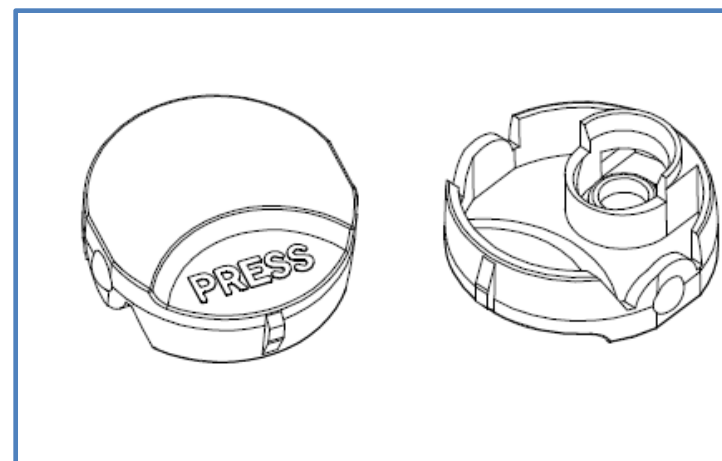
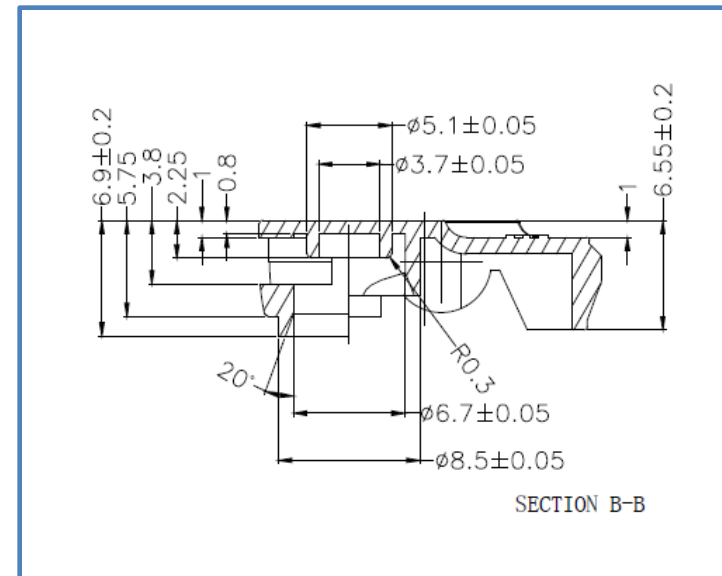
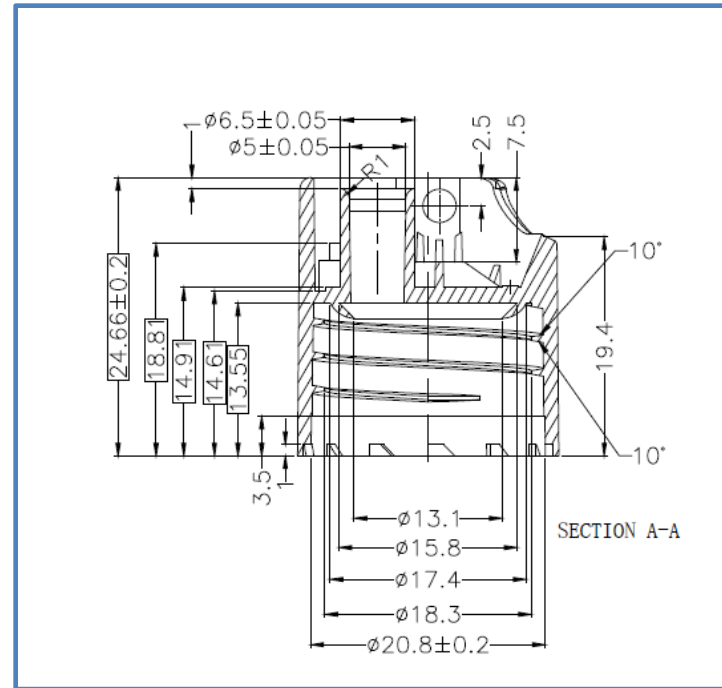


## 20/410 DISC TOP CAP



S. NO	DESCRIPTION	SPECS	TOLLERANCE
1	WEIGHT	3.16	±0.20
2	TOTAL HEIGHT	24.66	±0.20
3	THREAD DIA	18.3	±0.20
4	CAP DIA	23.4	±0.20
5	DISC HEIGHT	6.55	±0.20