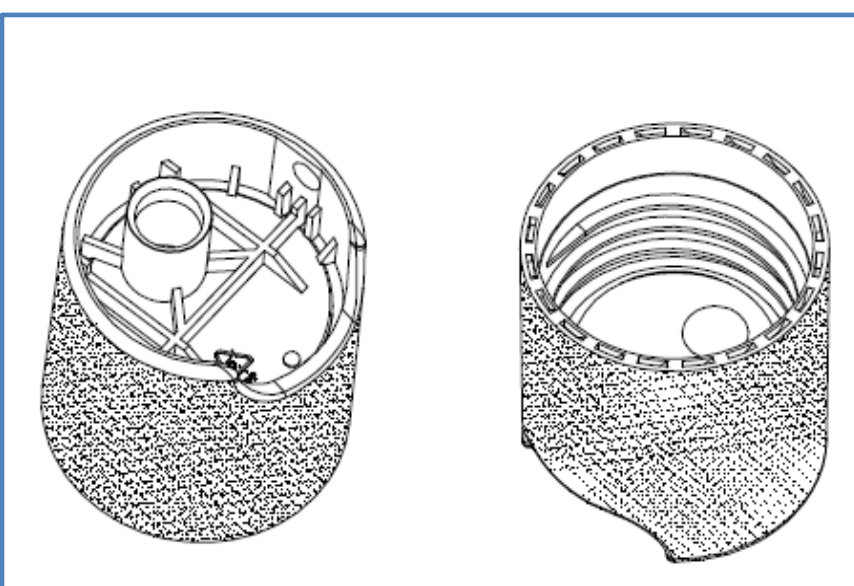
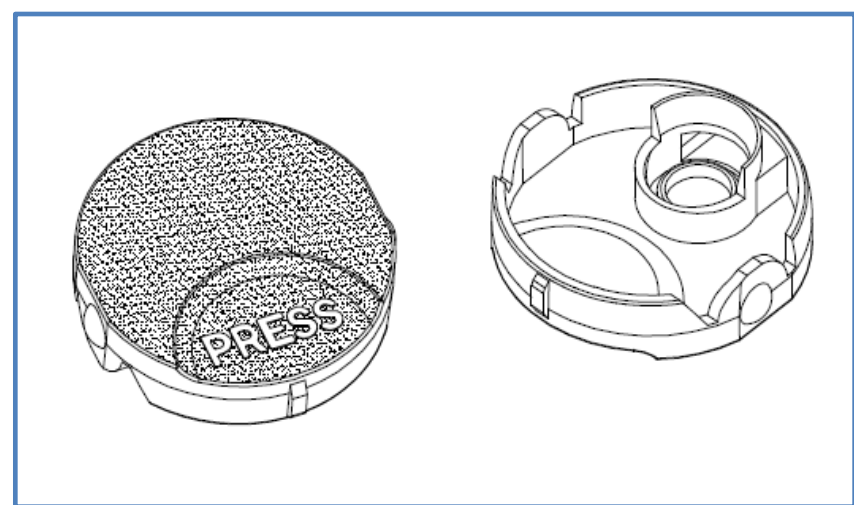
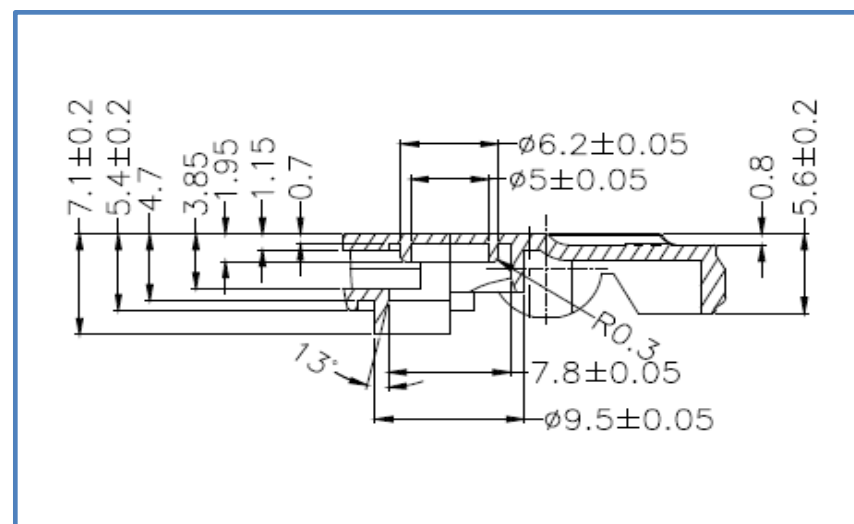
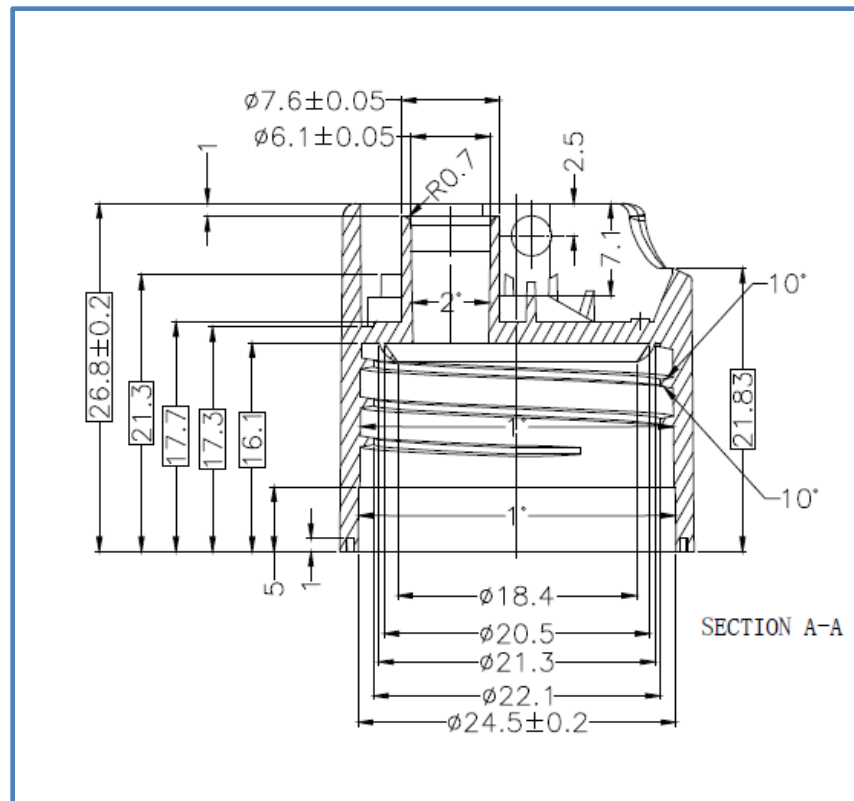


**24/410 Matt DISC TOP CAP**



S. NO	DESCRIPTION	SPECS	TOLERANCE
1	WEIGHT	4.45	±0.20
2	TOTAL HEIGHT	26.8	±0.20
3	THREAD DIA	22.1	±0.20
4	CAP DIA	27.5	±0.20
5	DISC HEIGHT	7.1	±0.20