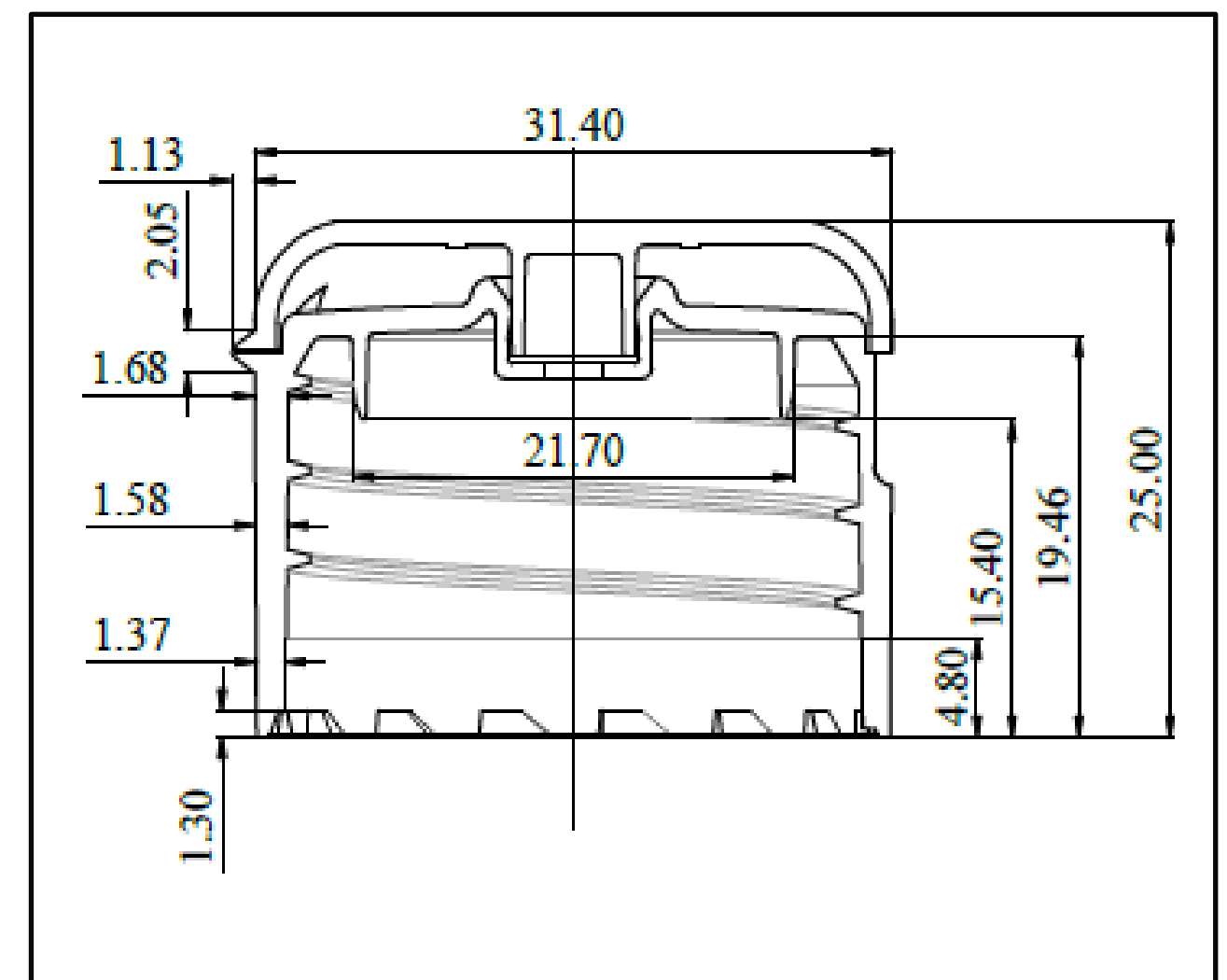
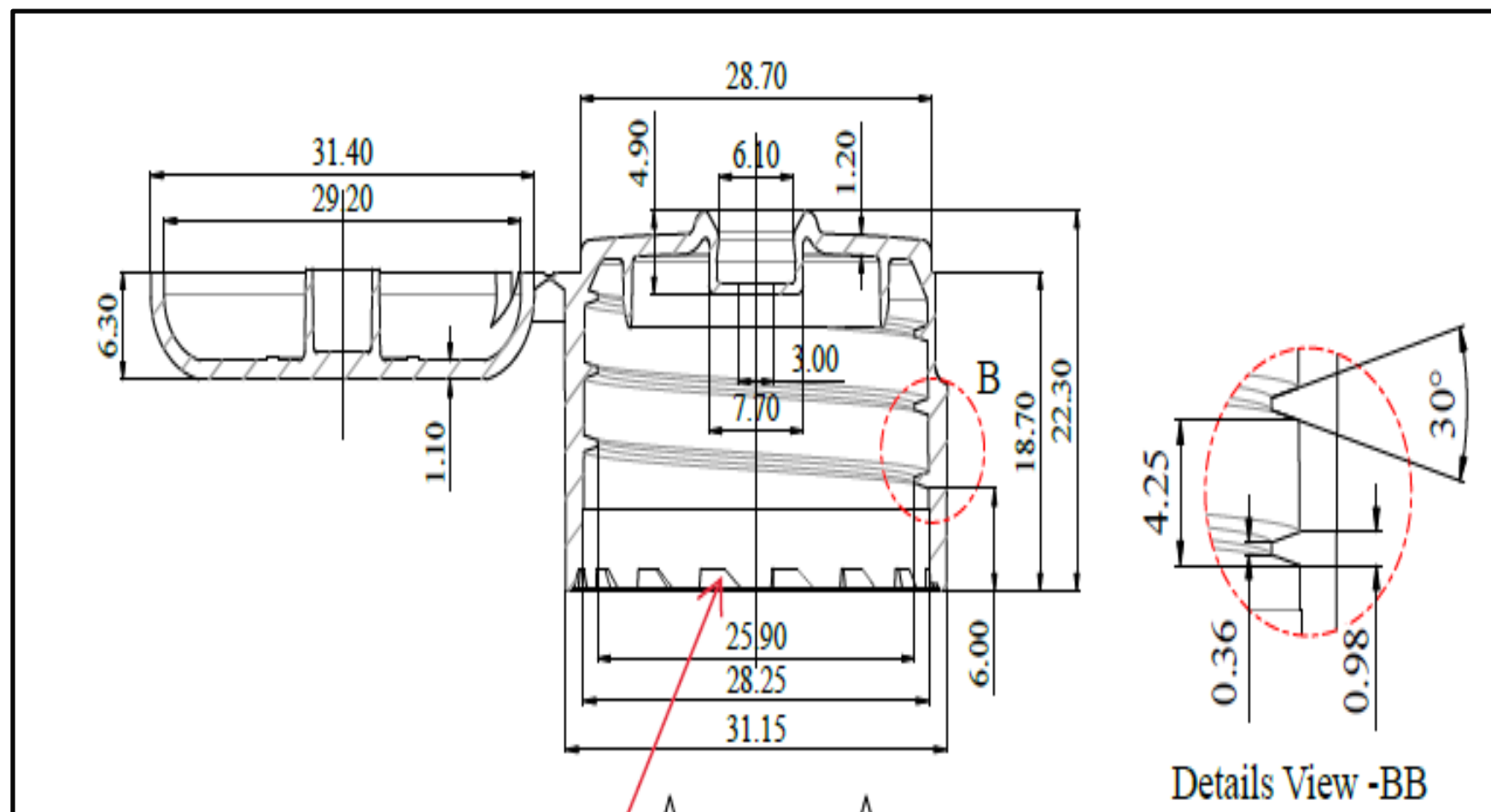
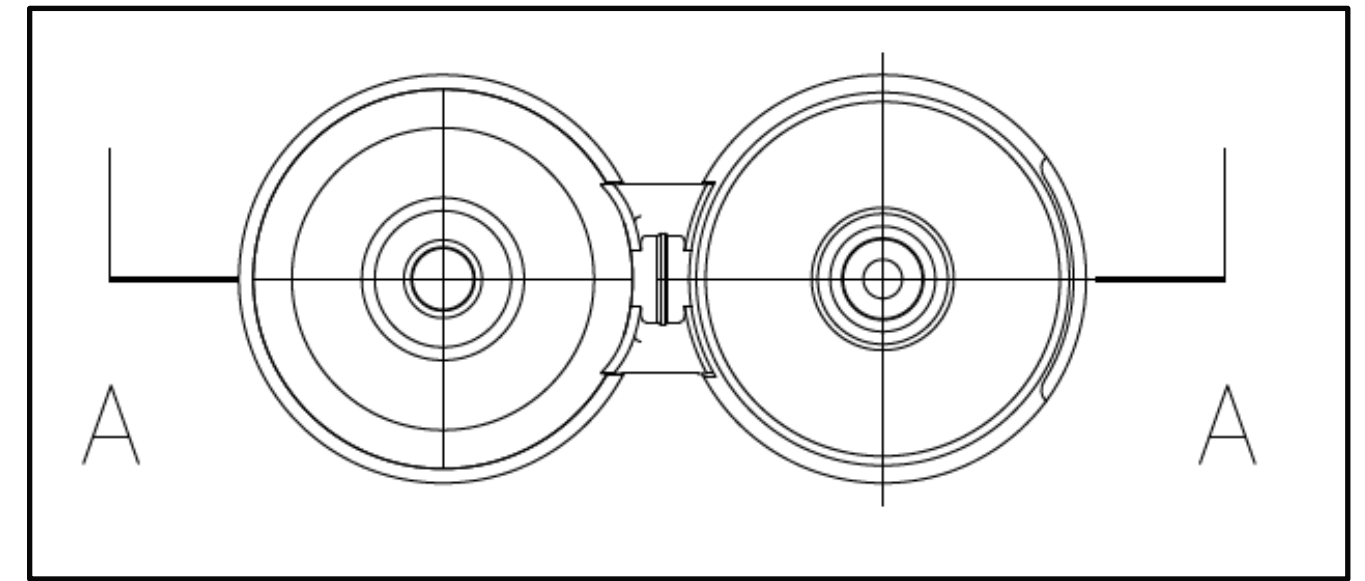
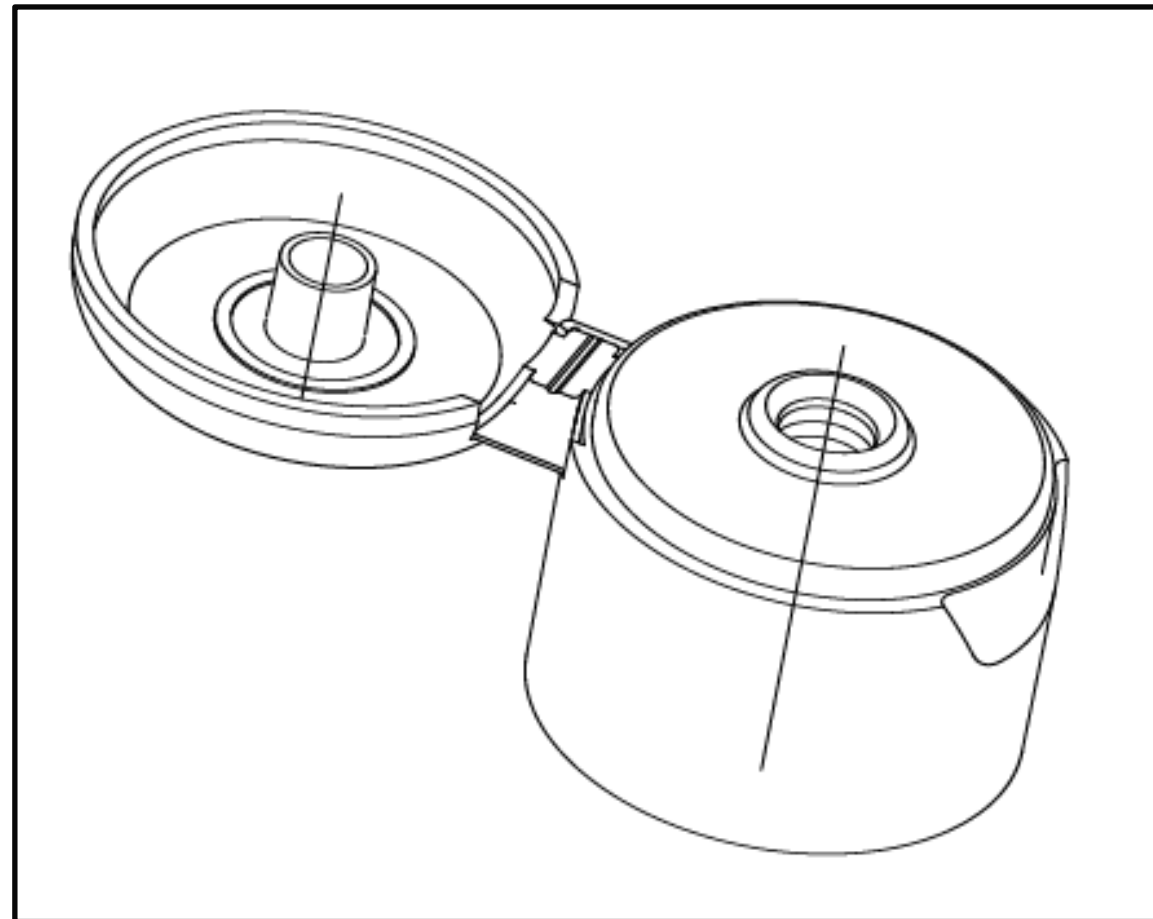


**28/410 MM FlipTop Cap**



WEIGHT	MATERIAL
4.70gm ±0.2gm	PP