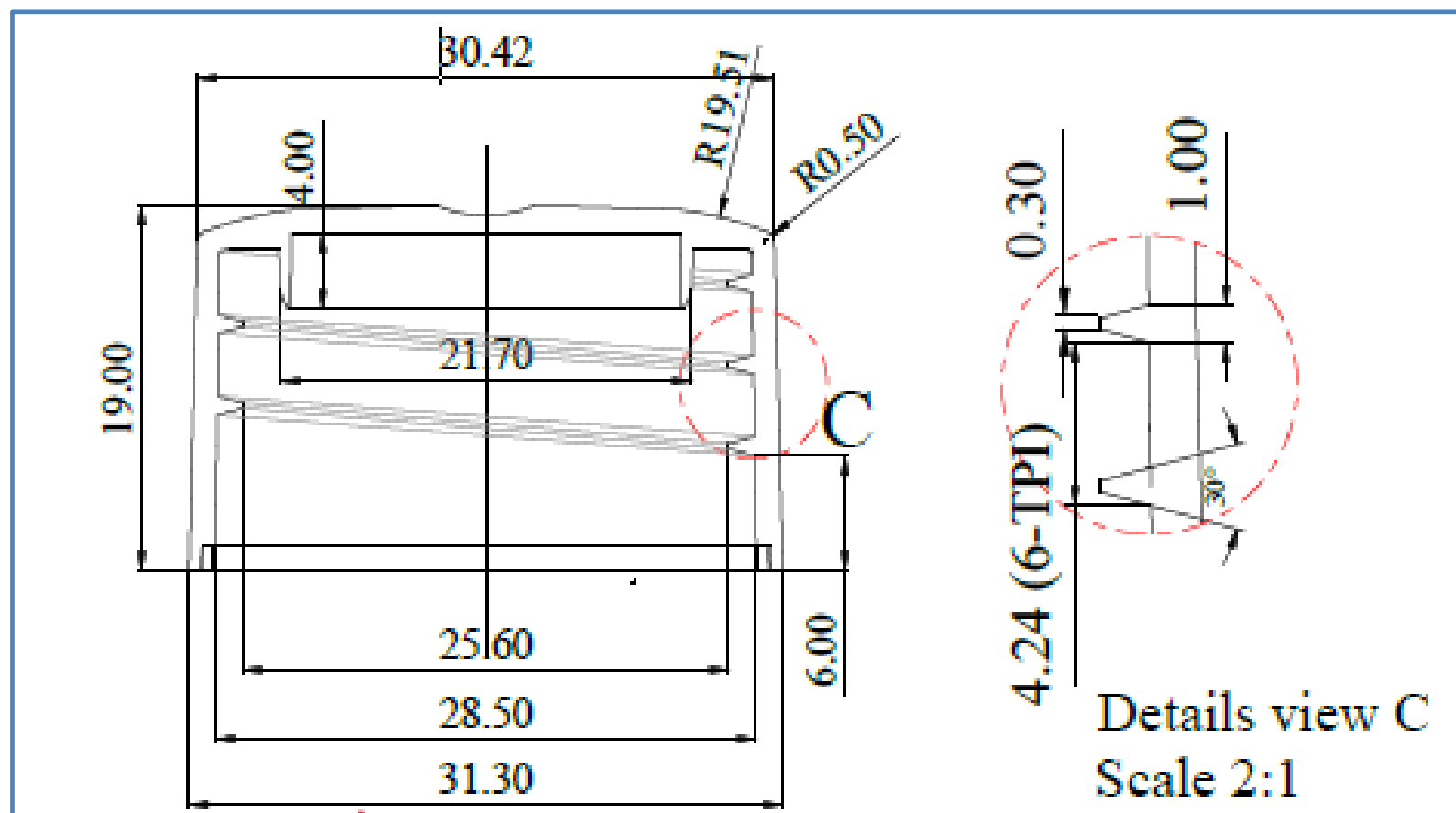


28 MM Plain Cap



Details view C
Scale 2:1

TITLE : 28mm Plain cap	
<i>Article Drawing</i>	
<i>ALL DIMENSION IS IN MM</i>	
WEIGHT	MATERIAL
3.00gm ±0.2gm	PP

