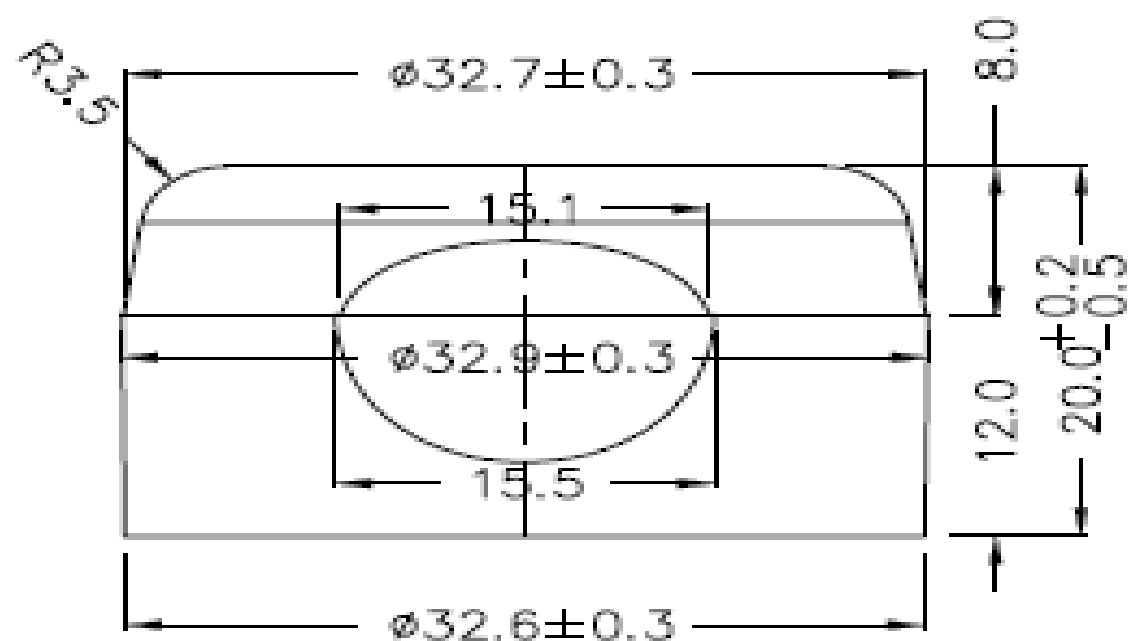
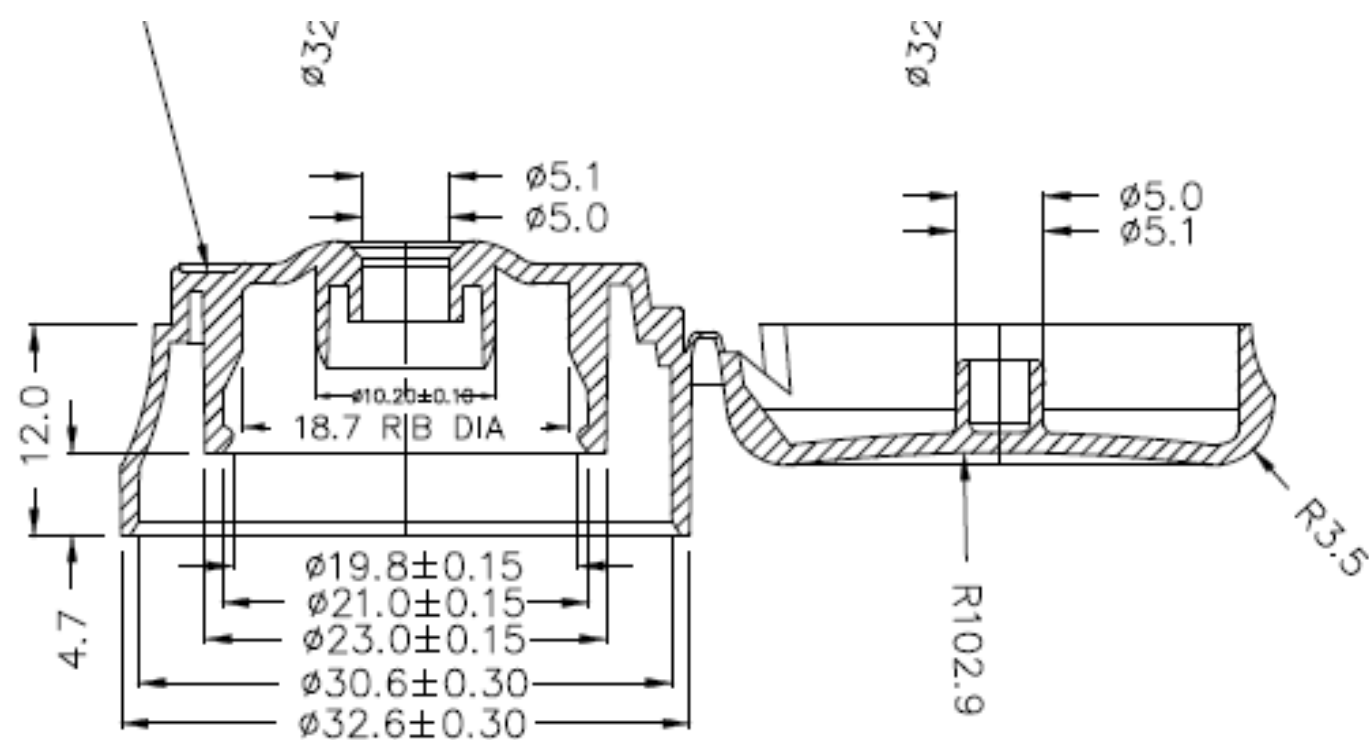


35mm Tube FLIP TOP CAP



S. NO	DESCRIPTION	SPECS	TOLLERANCE
1	WEIGHT	4.5	± 0.30
2	TOTAL HEIGHT	20	± 0.50
3	OUTER DIA	32.60	± 0.30
4	RIB DIA	18.70	± 0.10
5	ORIFICE	3.0/5.0	0.05