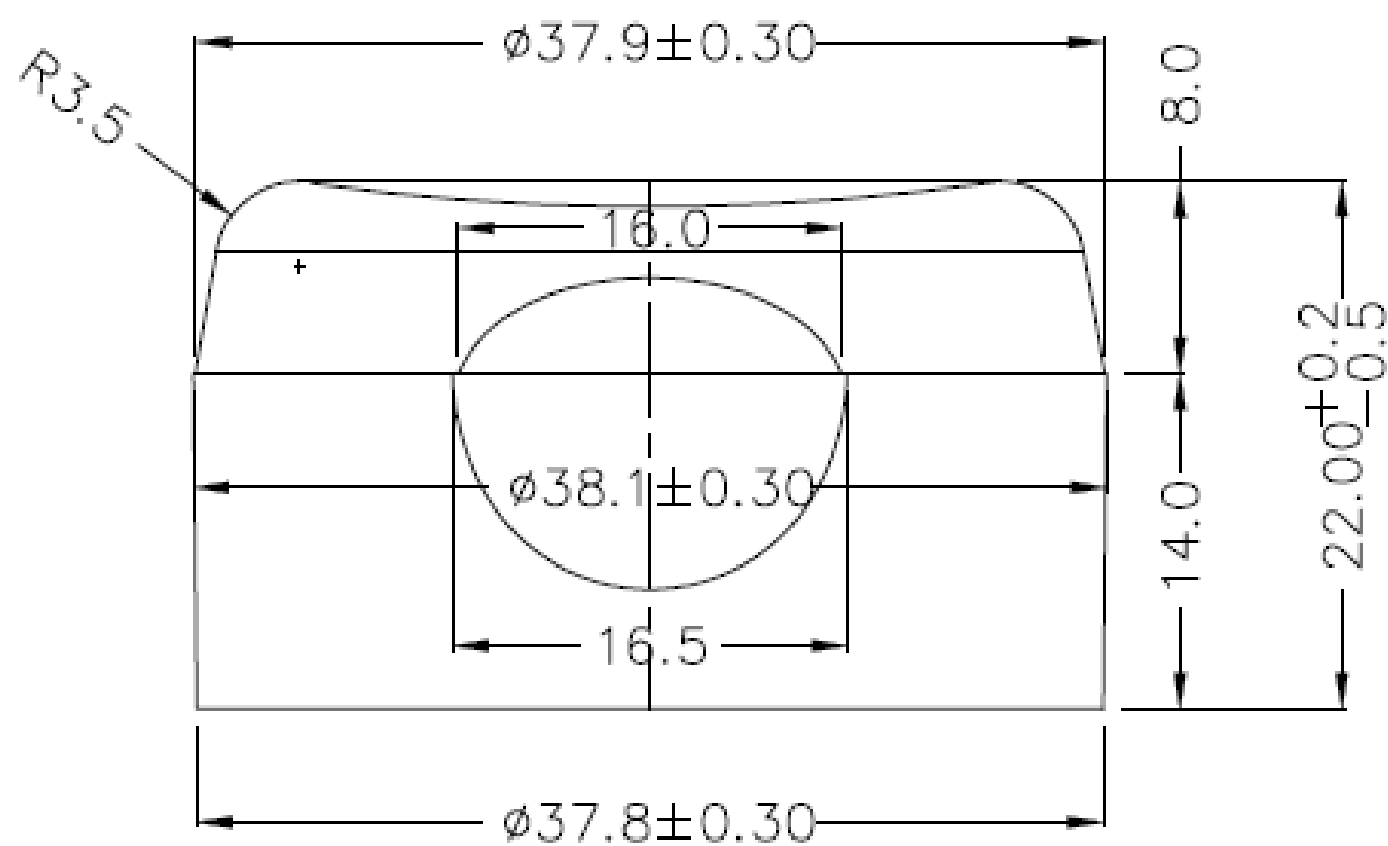
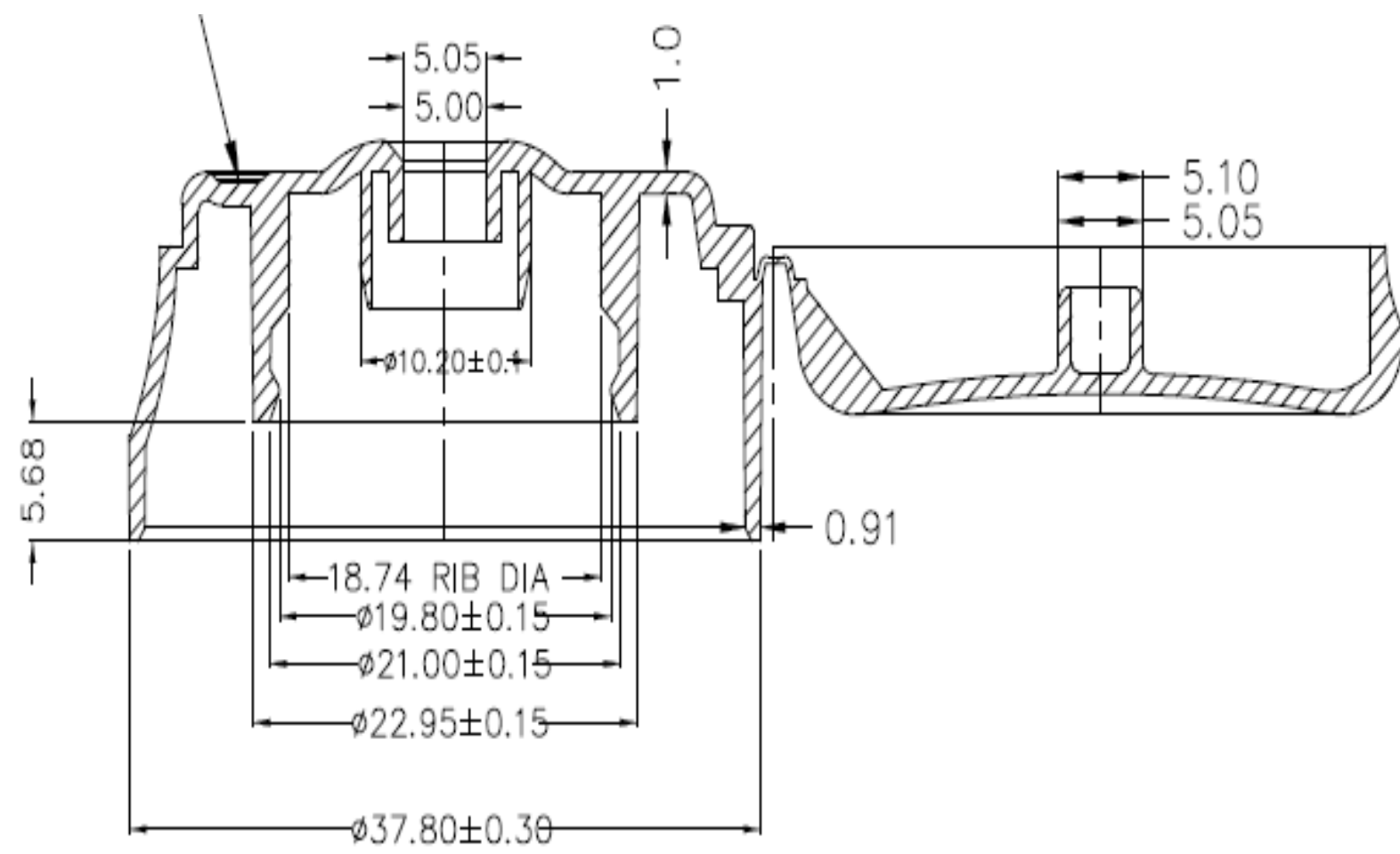


40mm Tube FLIP TOP CAP



S. NO	DESCRIPTION	SPECS	TOLLERANCE
1	WEIGHT	5.4	±0.30
2	TOTAL HEIGHT	22.0	±0.50
3	OUTER DIA	37.80	±0.30
4	RIB DIA	18.70	±0.10
5	ORIFICE	3.0/5.0	0.05